

Radionički crtež kućišta motorvretena

Zrilić, Nikša

Supplement / Prilog

Publication year / Godina izdavanja: **2024**

Permanent link / Trajna poveznica: <https://urn.nsk.hr/urn:nbn:hr:190:305608>

Rights / Prava: [Attribution 4.0 International](#)/[Imenovanje 4.0 međunarodna](#)

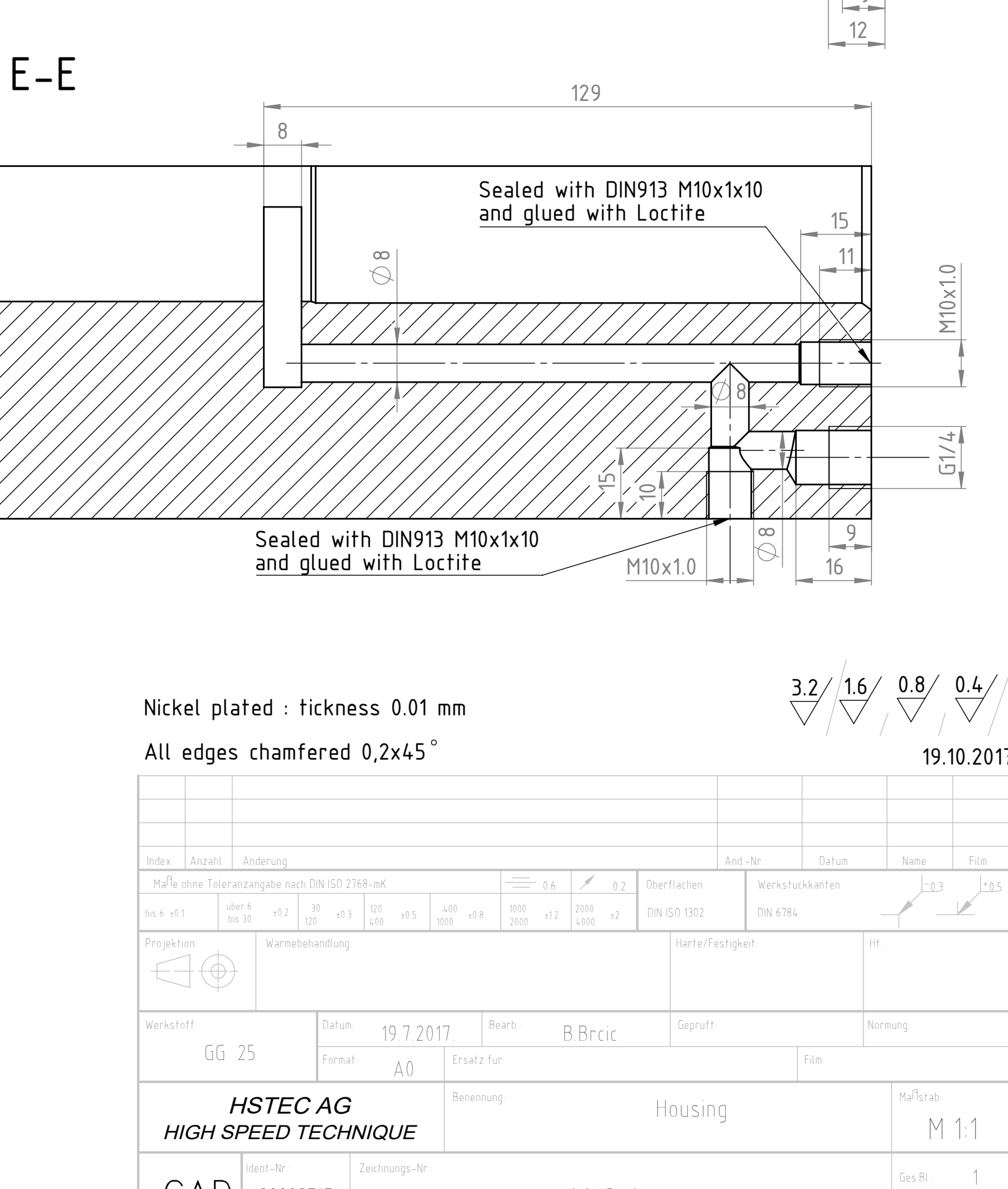
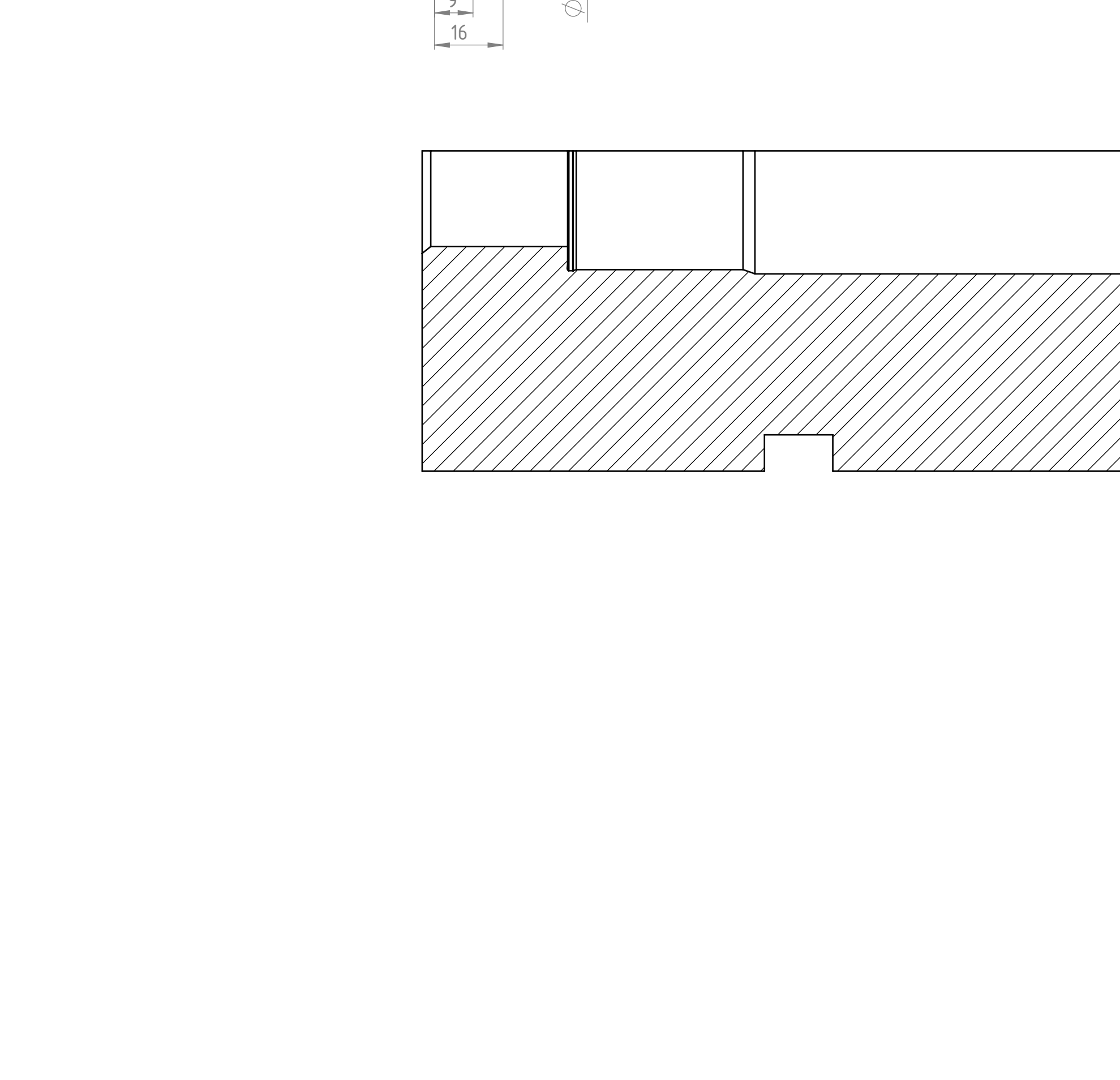
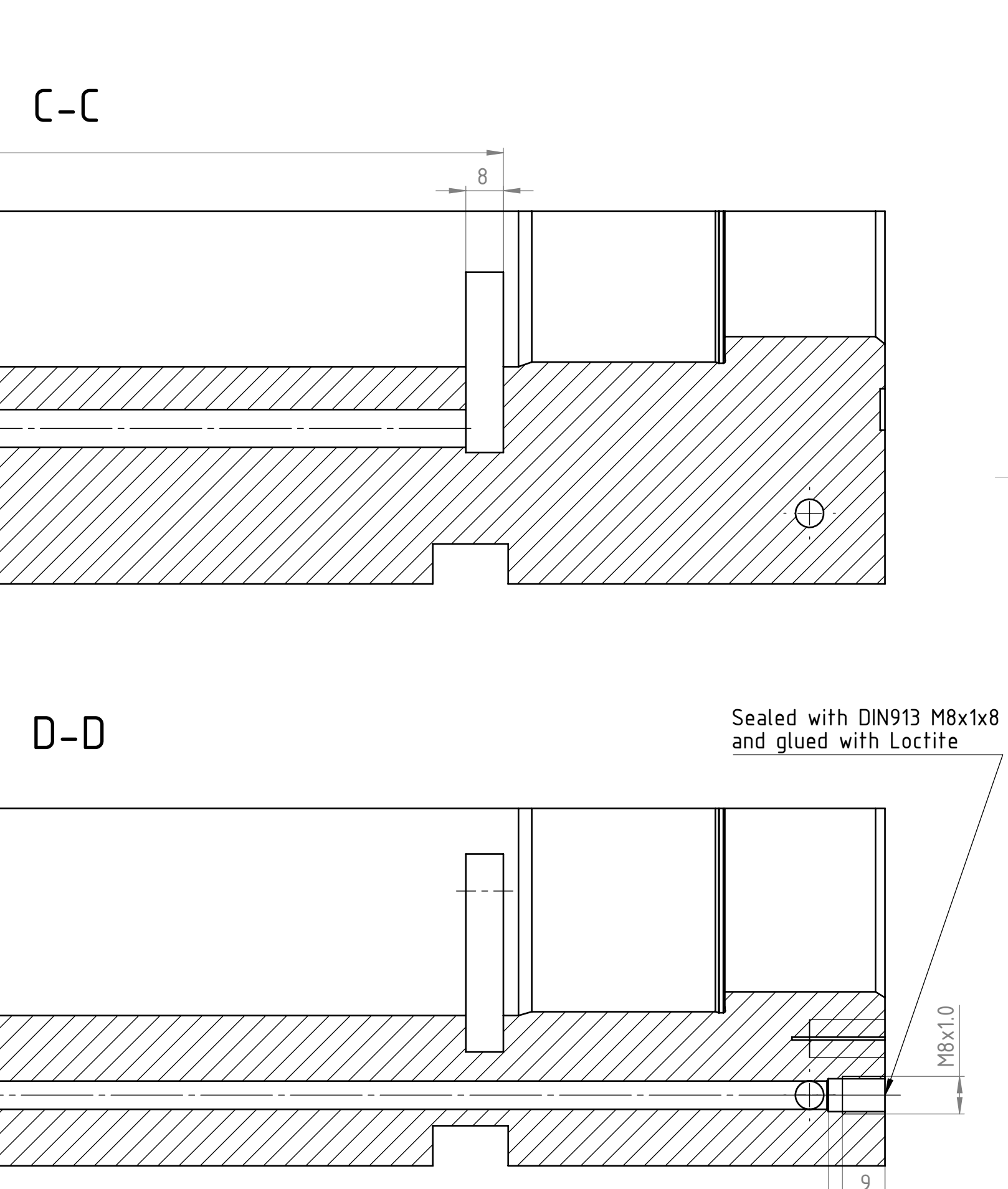
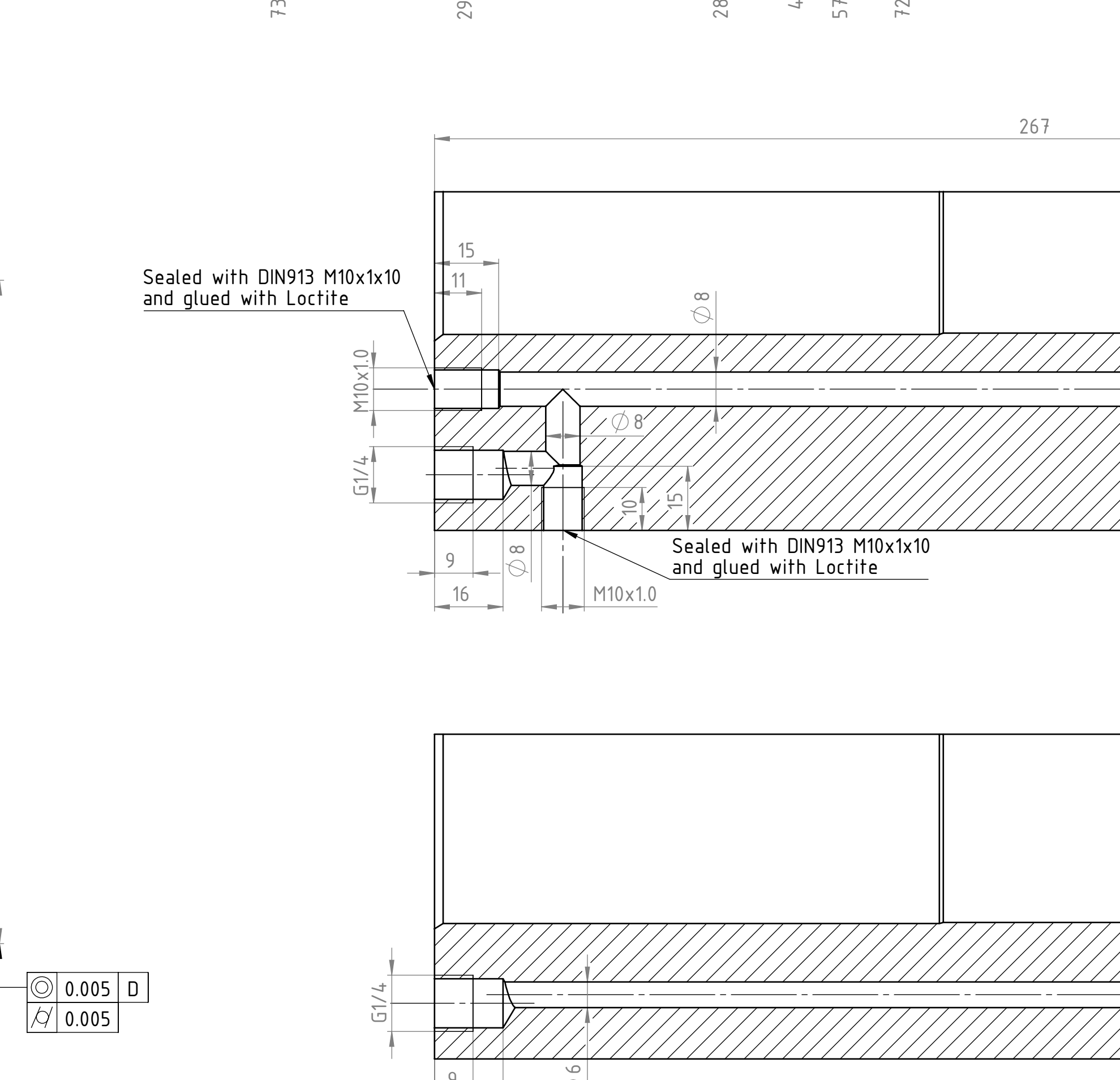
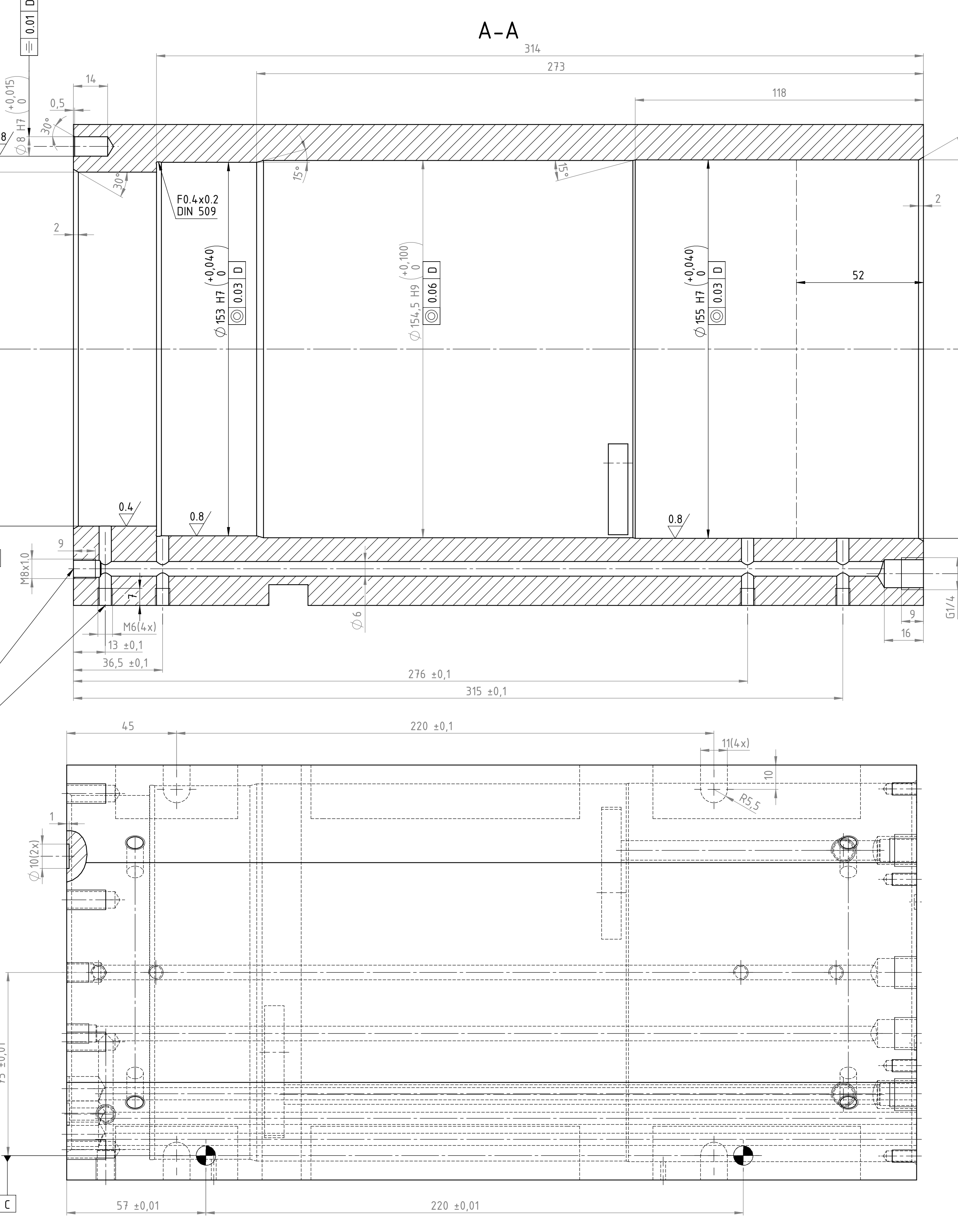
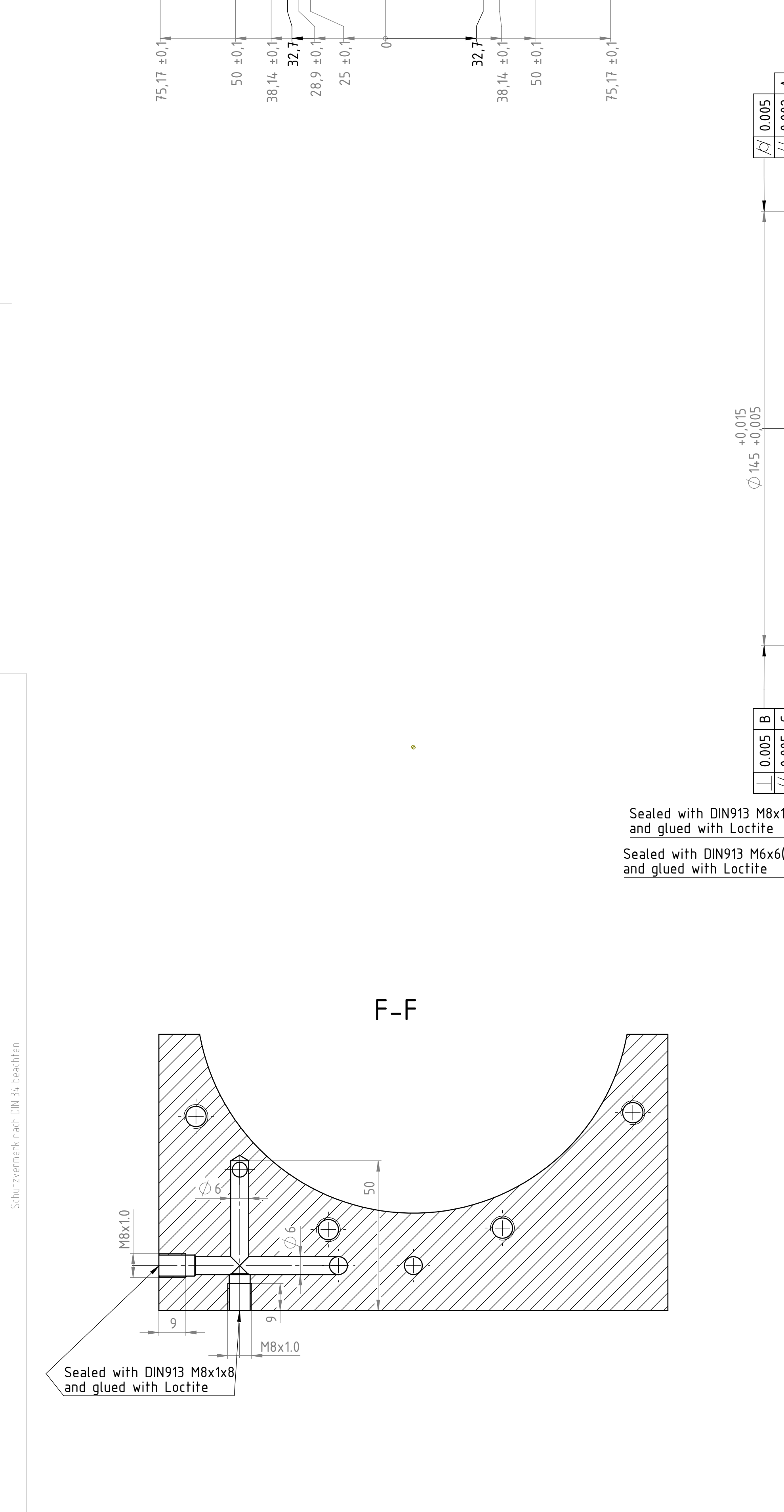
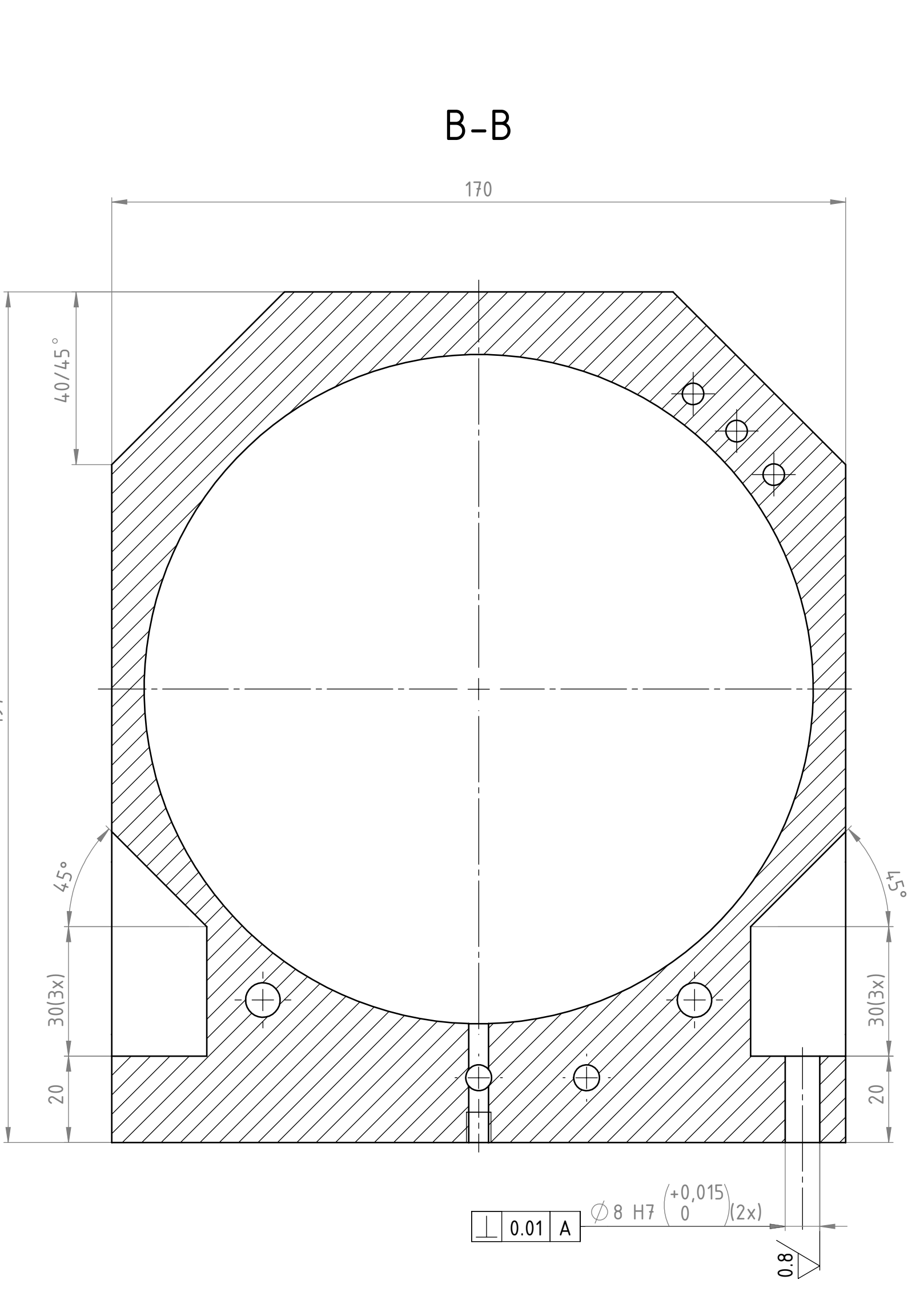
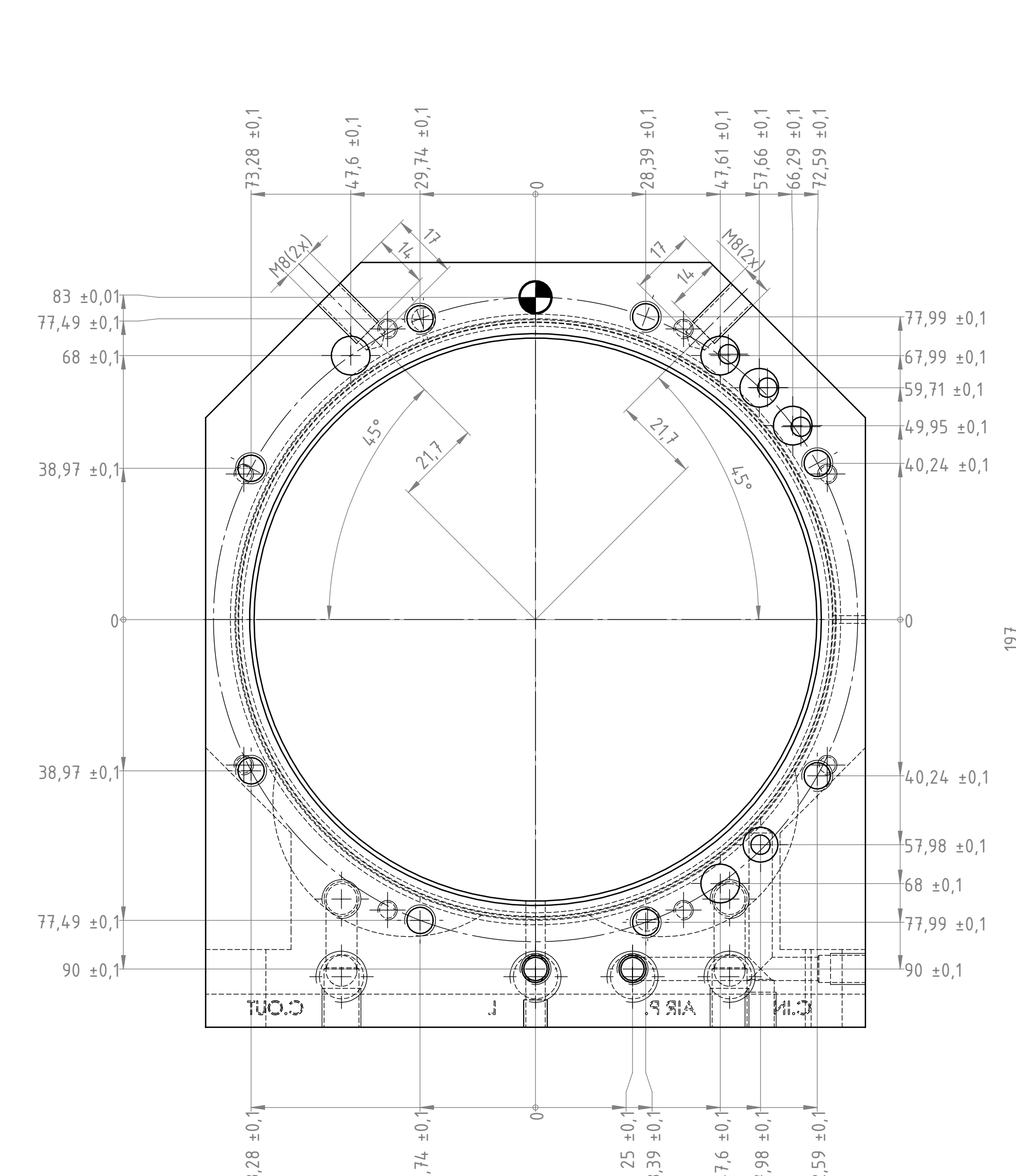
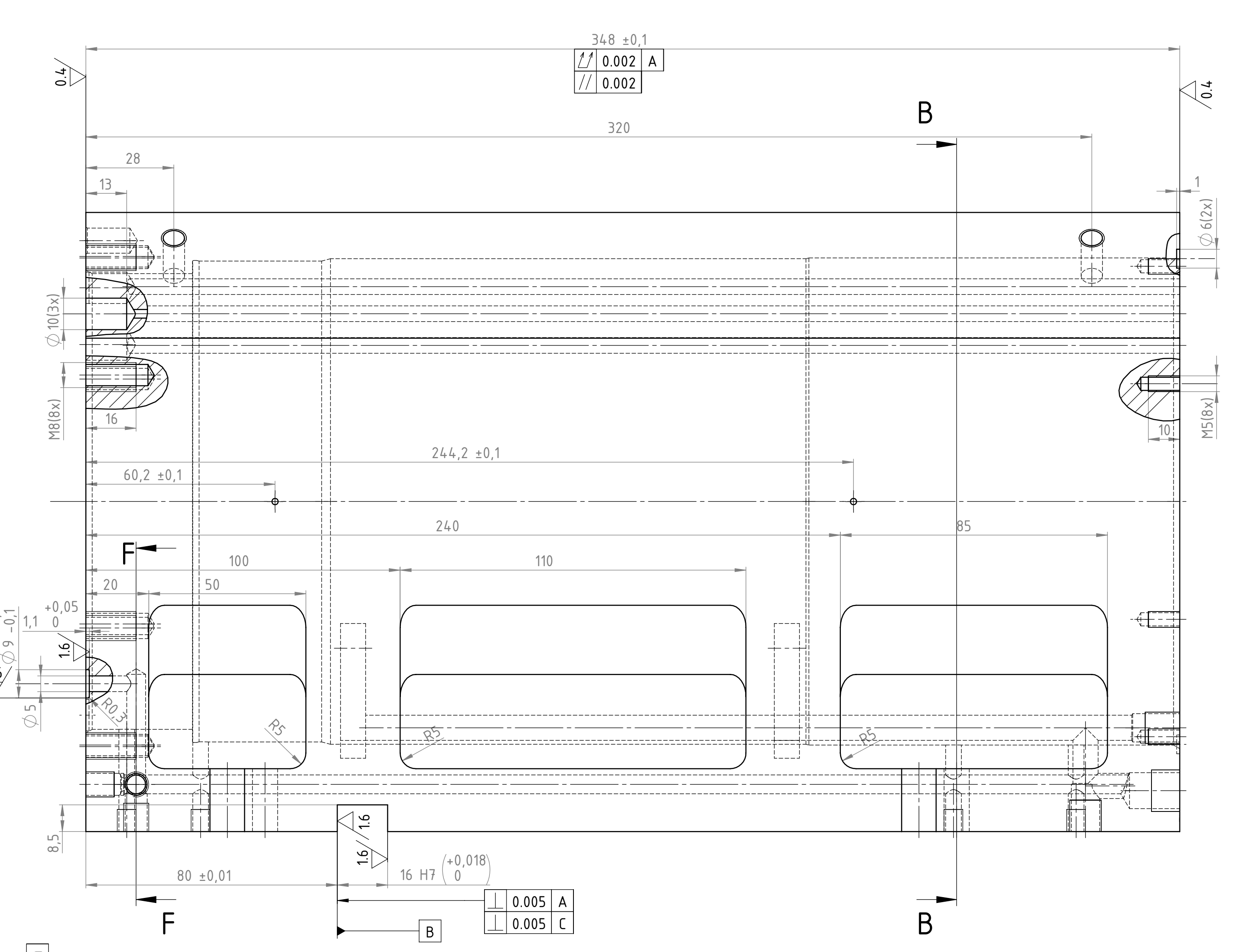
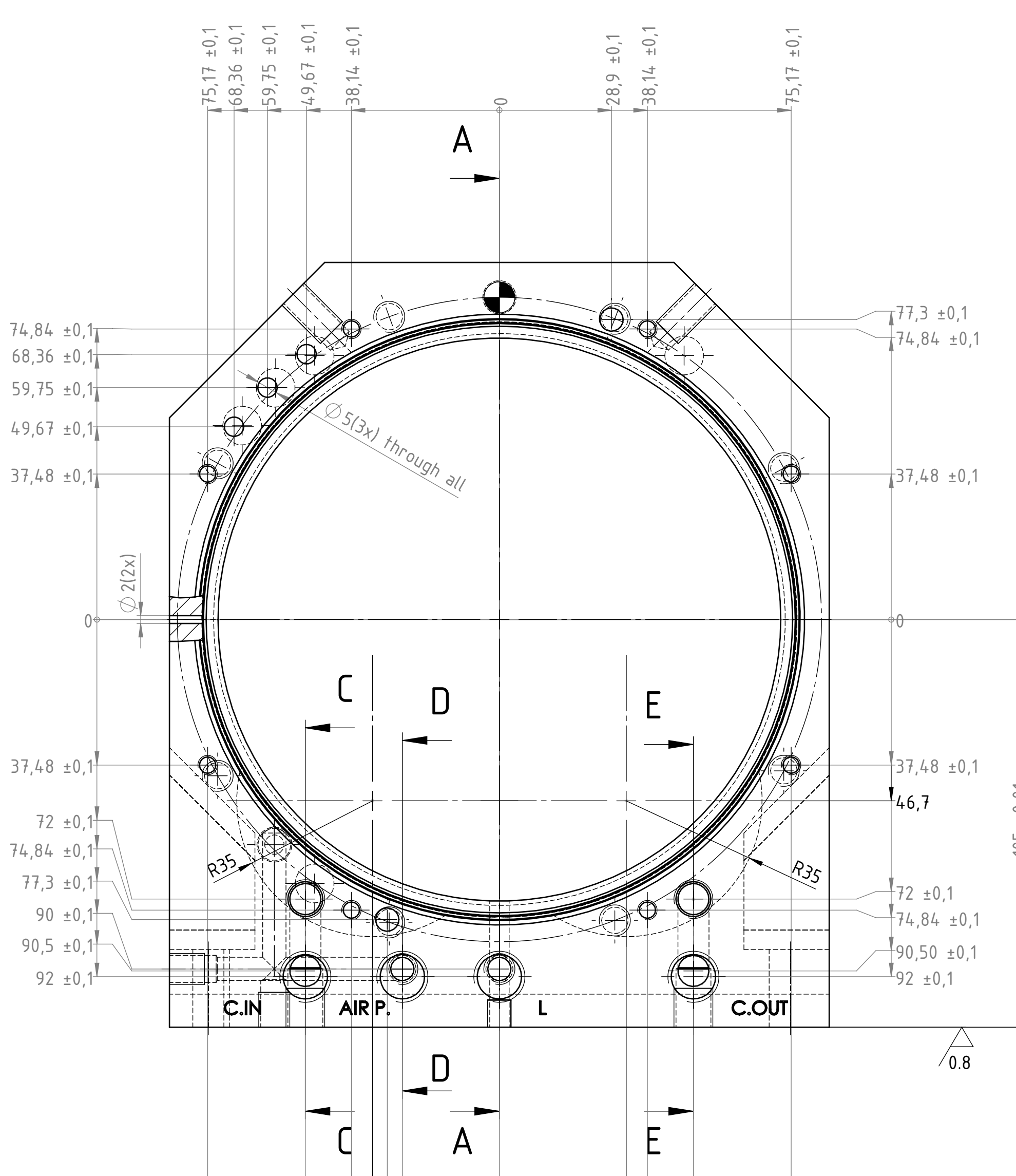
Download date / Datum preuzimanja: **2024-07-18**



Repository / Repozitorij:

[Repository of the University of Rijeka, Faculty of Engineering](#)





Nickel plated : thickness 0.01 mm
 All edges chamfered 0,2x45°

Index		Änderung		Gezeichnet		Geprüft		Freigegeben	
1	GG 25	19.7.2017	1	B. Brecht					
HSTEC AG HIGH SPEED TECHNIQUE									
CAD 20009717								Zeichnungs-Nr. 821310	
GG 25								Housing	
HSTEC AG								M 11	
20009717								1	

3.2 / 16 / 0.8 / 0.4
 19.10.2017