

# Radionički crtež kućišta motorvretena

---

**Zrilić, Nikša**

**Supplement / Prilog**

*Publication year / Godina izdavanja:* **2024**

*Permanent link / Trajna poveznica:* <https://urn.nsk.hr/urn:nbn:hr:190:305608>

*Rights / Prava:* [Attribution 4.0 International](#)/[Imenovanje 4.0 međunarodna](#)

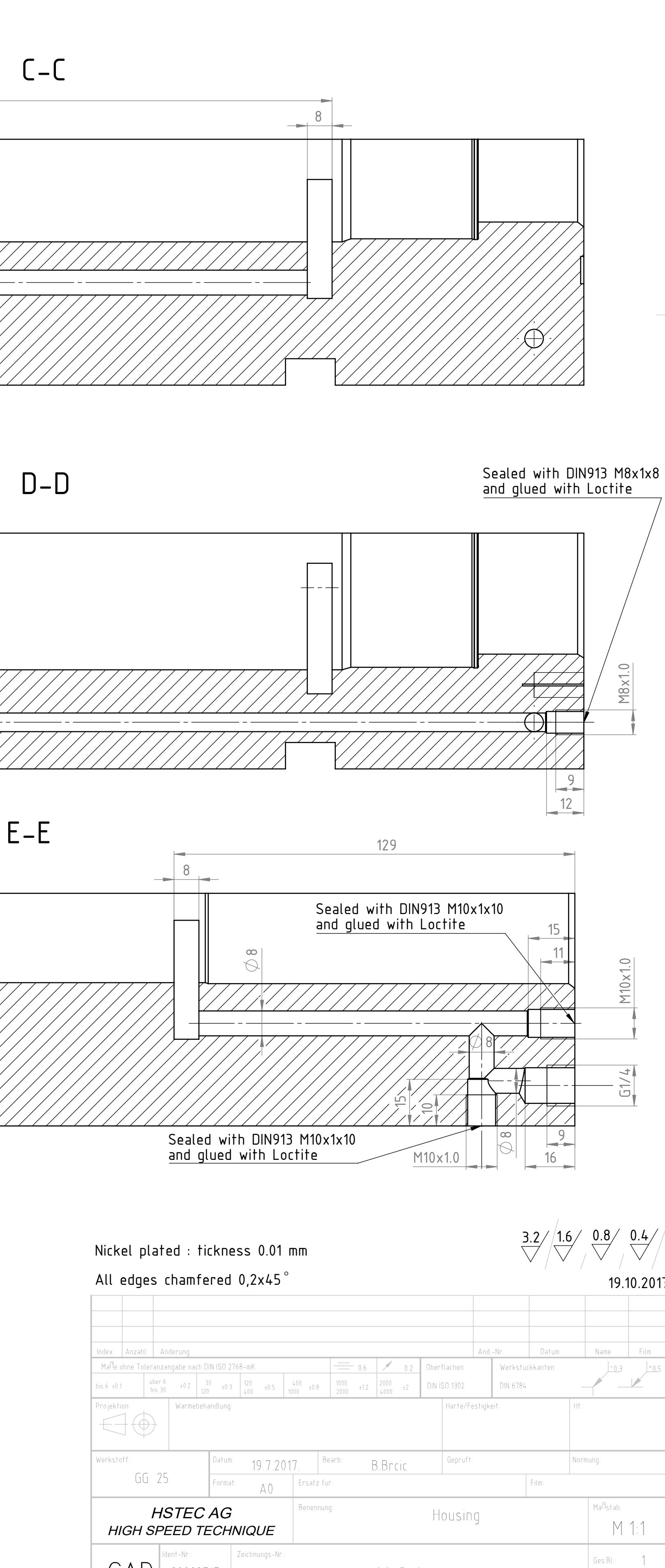
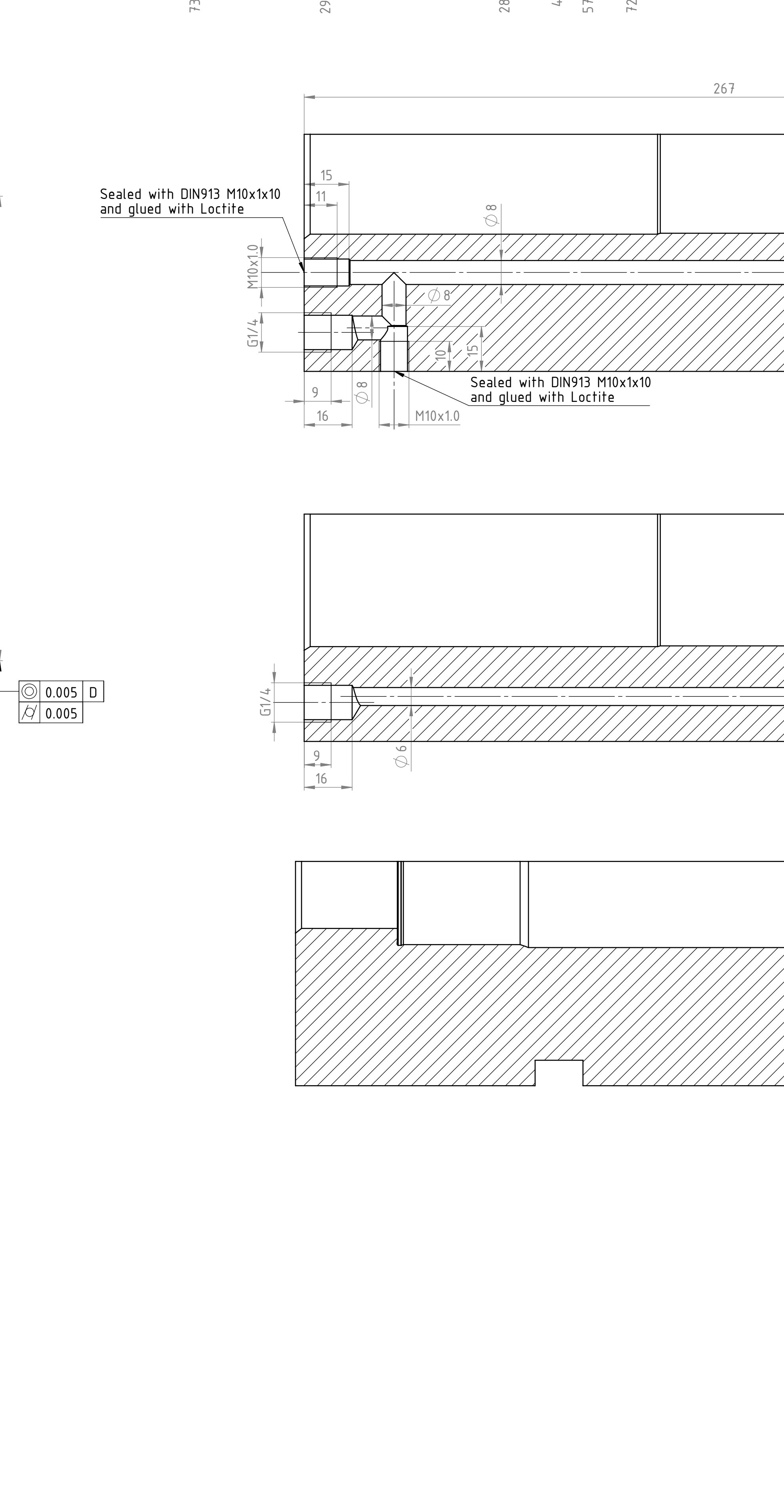
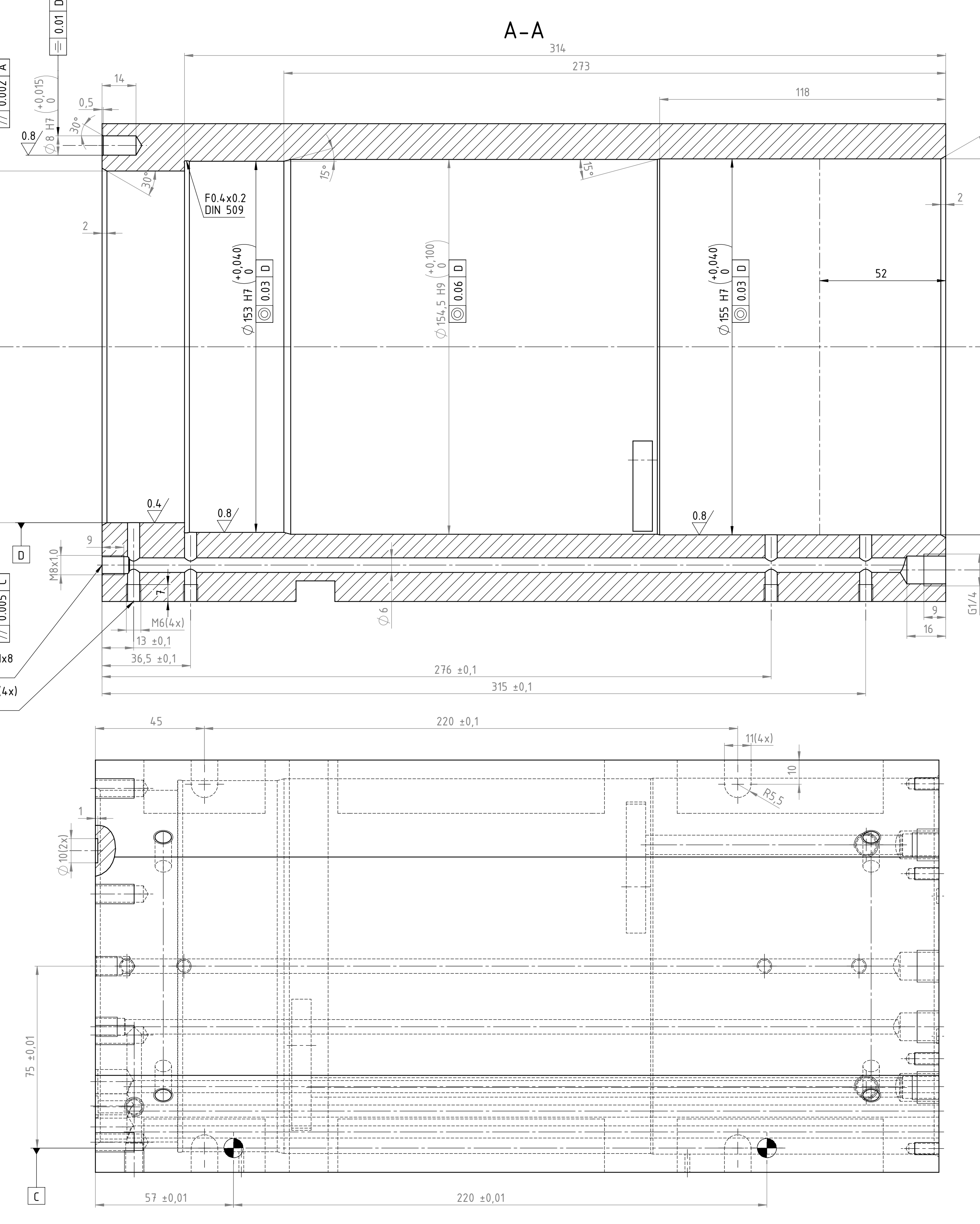
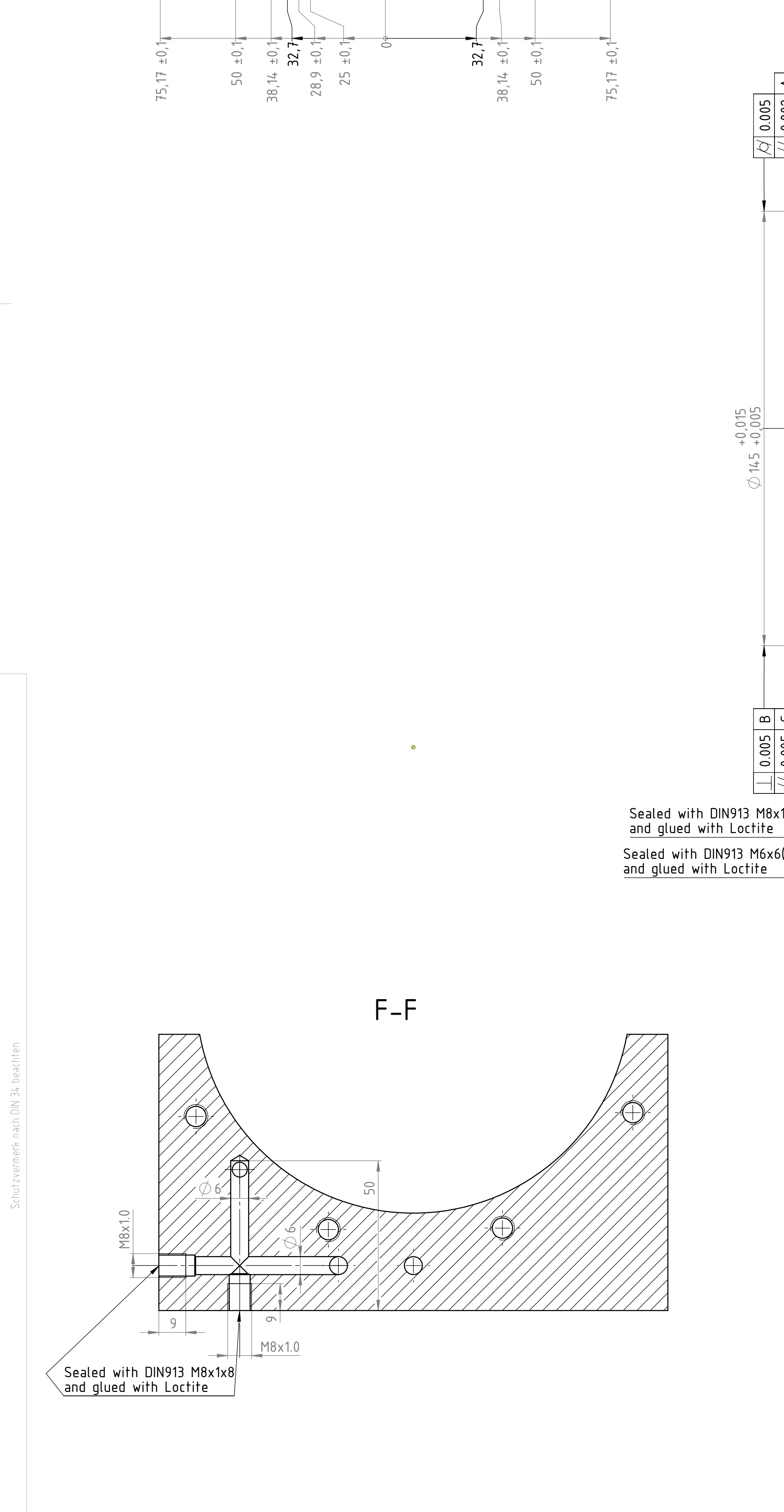
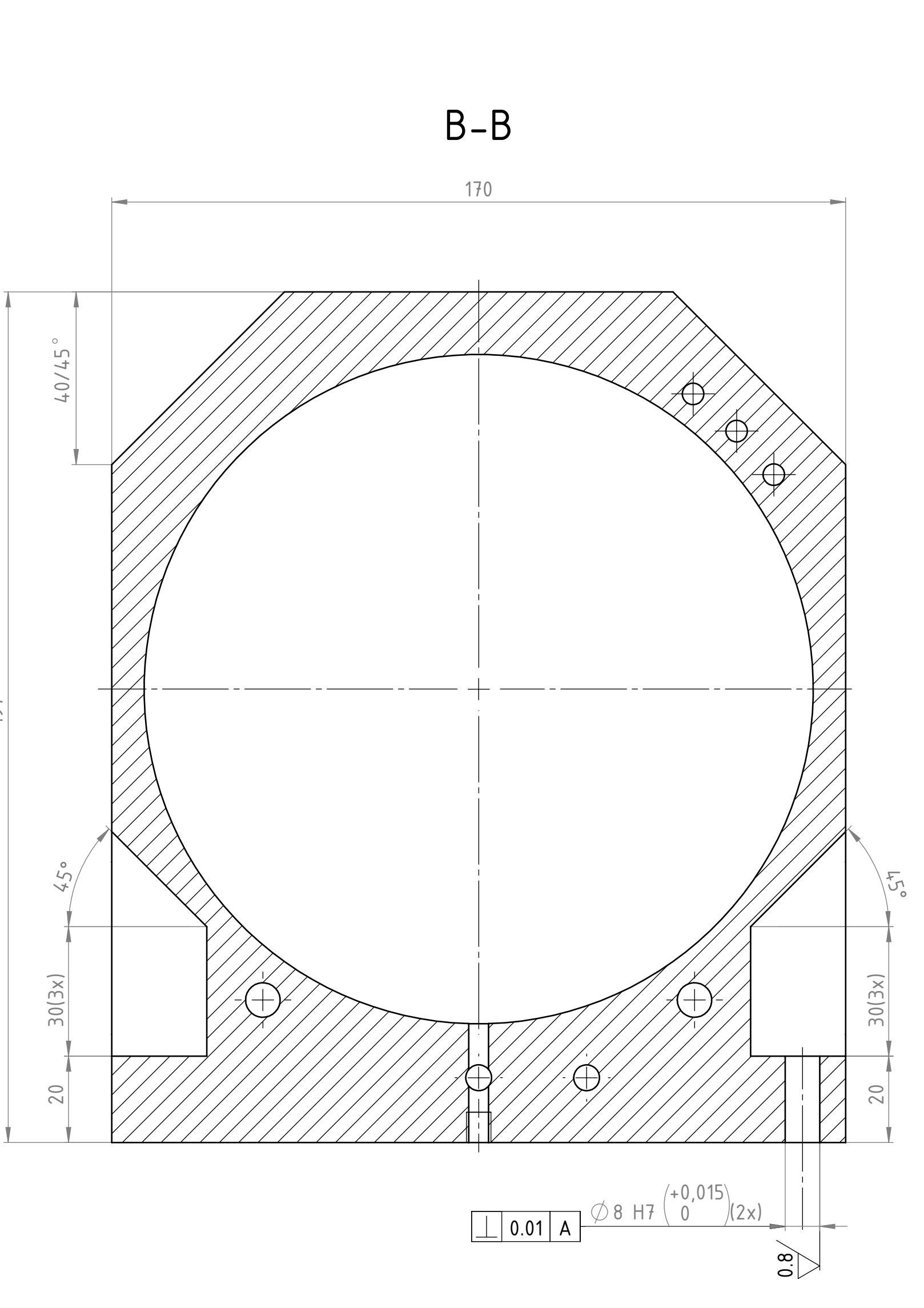
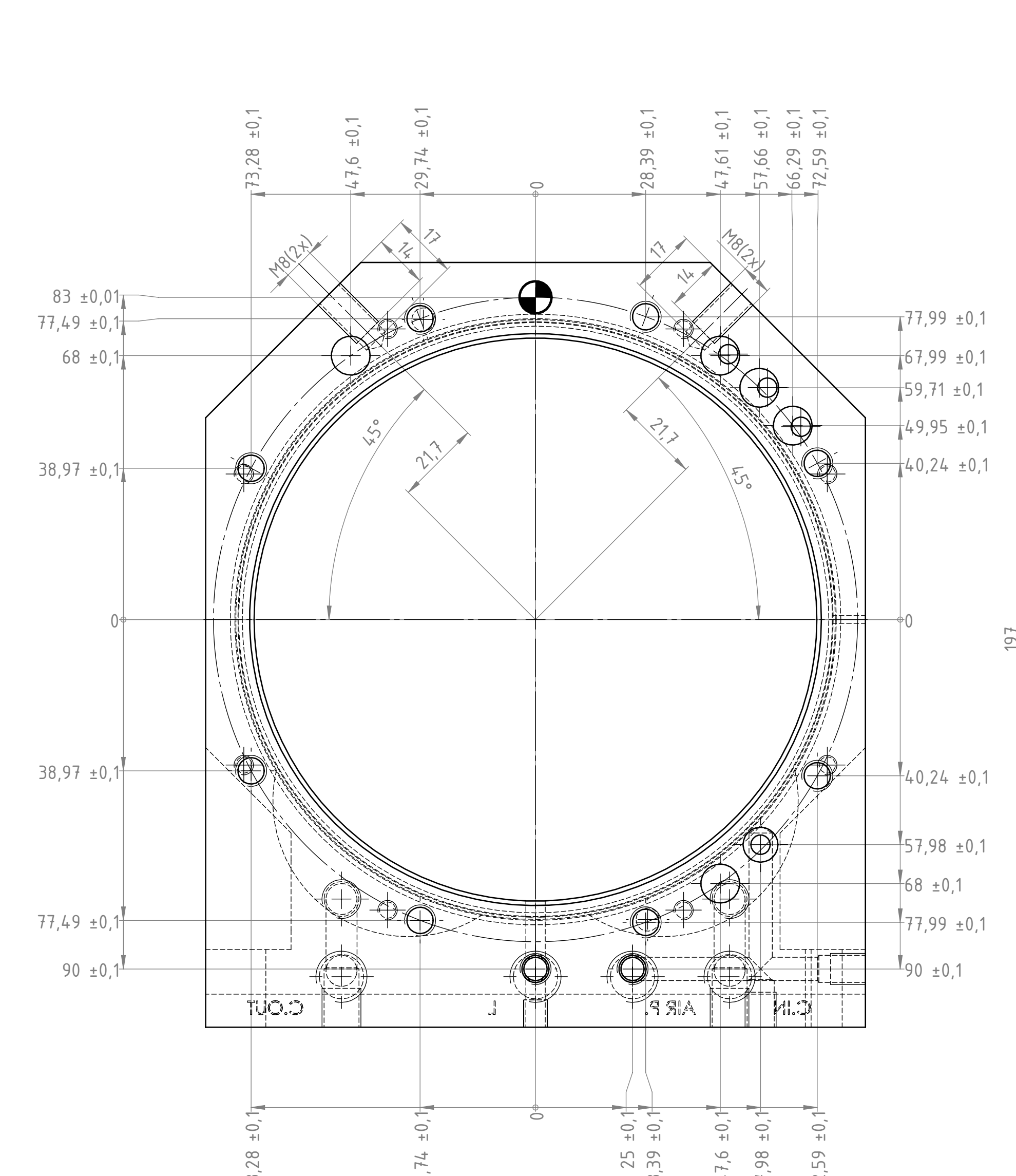
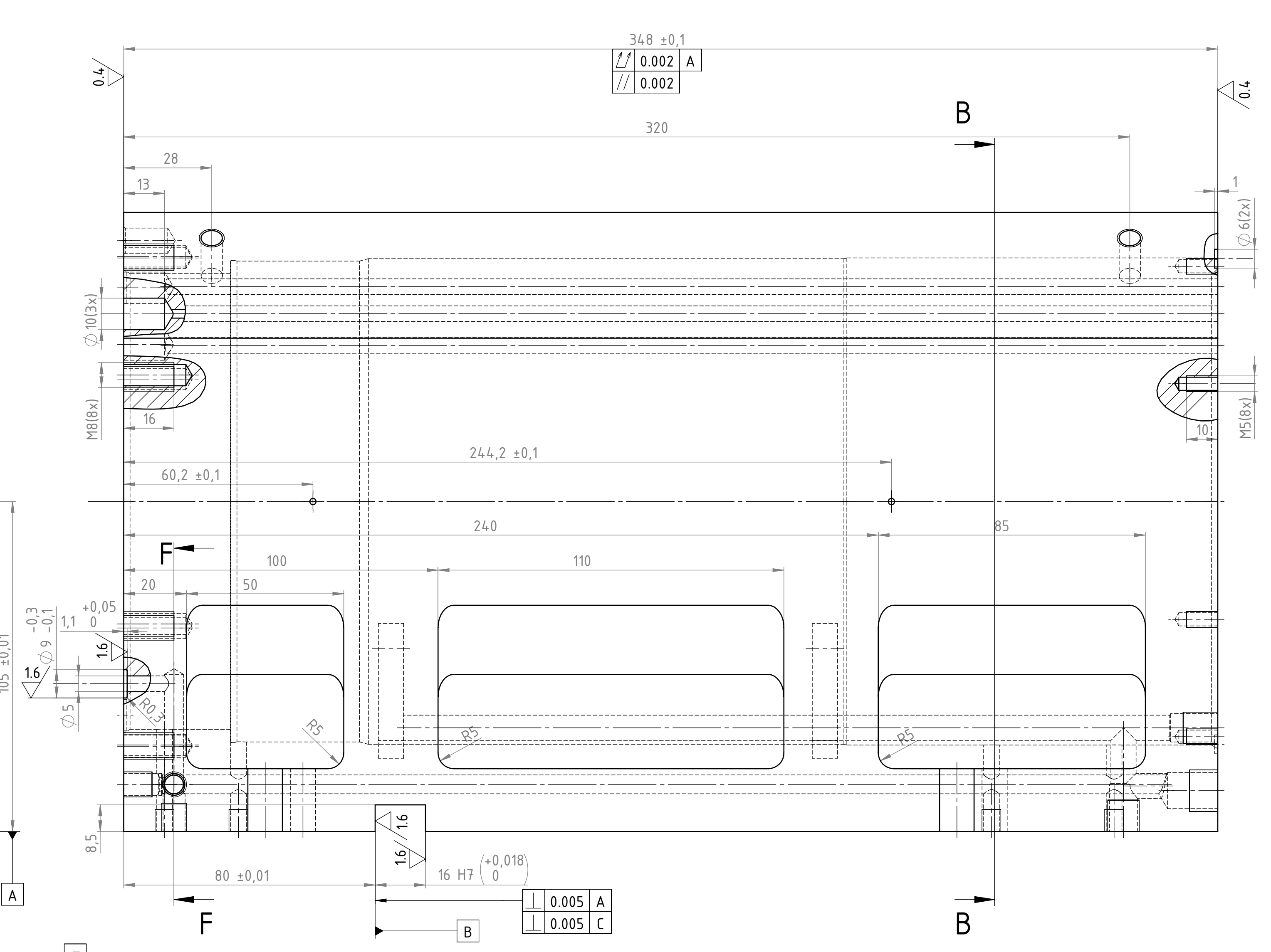
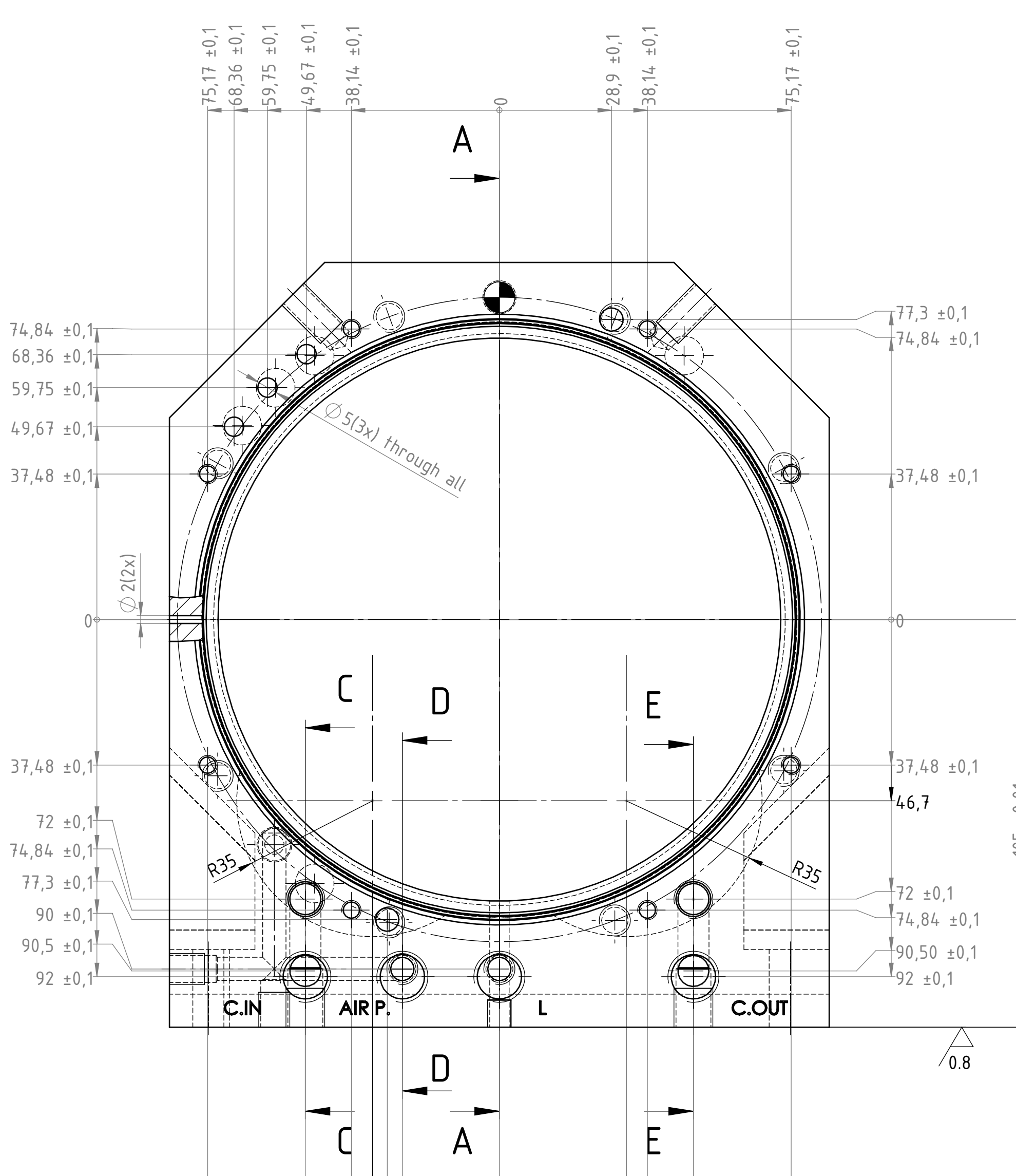
*Download date / Datum preuzimanja:* **2025-03-16**



*Repository / Repozitorij:*

[Repository of the University of Rijeka, Faculty of Engineering](#)





Nickel plated : thickness 0.01 mm  
 All edges chamfered 0,2x45°  
 19.10.2017.

Index	Symbol	Abkürzung	Material	Abt. Nr.	Stapel	Werkstoff	Werkstoff	Werkstoff	Werkstoff
1			GG 25						
2			Alu						
3			Alu						
4			Alu						
5			Alu						
6			Alu						
7			Alu						
8			Alu						
9			Alu						
10			Alu						
11			Alu						
12			Alu						
13			Alu						
14			Alu						
15			Alu						
16			Alu						
17			Alu						
18			Alu						
19			Alu						
20			Alu						
21			Alu						
22			Alu						
23			Alu						
24			Alu						

HSTEC AG  
 HIGH SPEED TECHNIQUE  
 CAD 20009717  
 821310  
 M 11  
 1  
 1