

# Radionički crtež kućišta motorvretena

---

Zrilić, Nikša

## Supplement / Prilog

Publication year / Godina izdavanja: **2024**

Permanent link / Trajna poveznica: <https://urn.nsk.hr/urn:nbn:hr:190:305608>

Rights / Prava: [Attribution 4.0 International](#)/[Imenovanje 4.0 međunarodna](#)

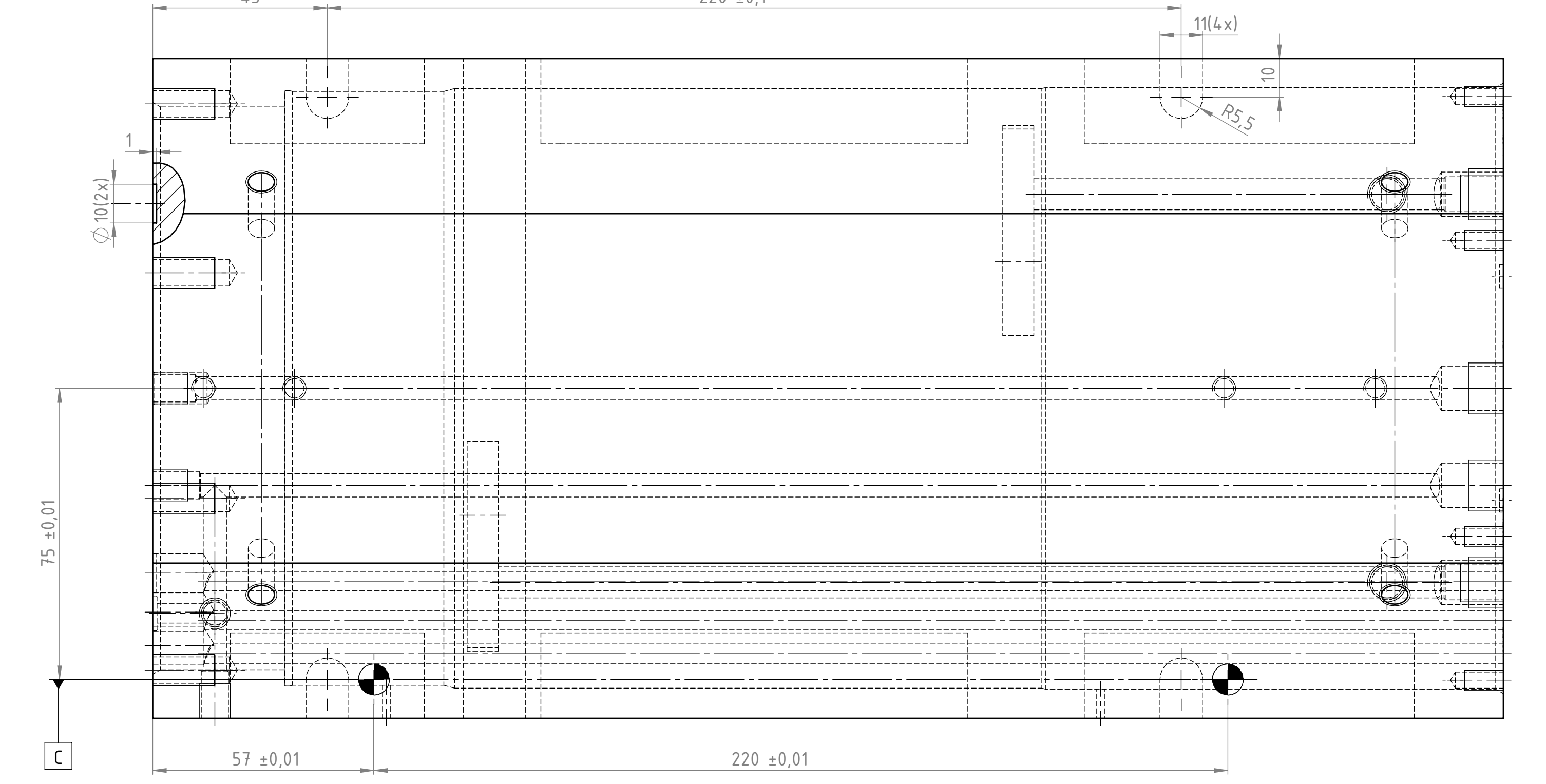
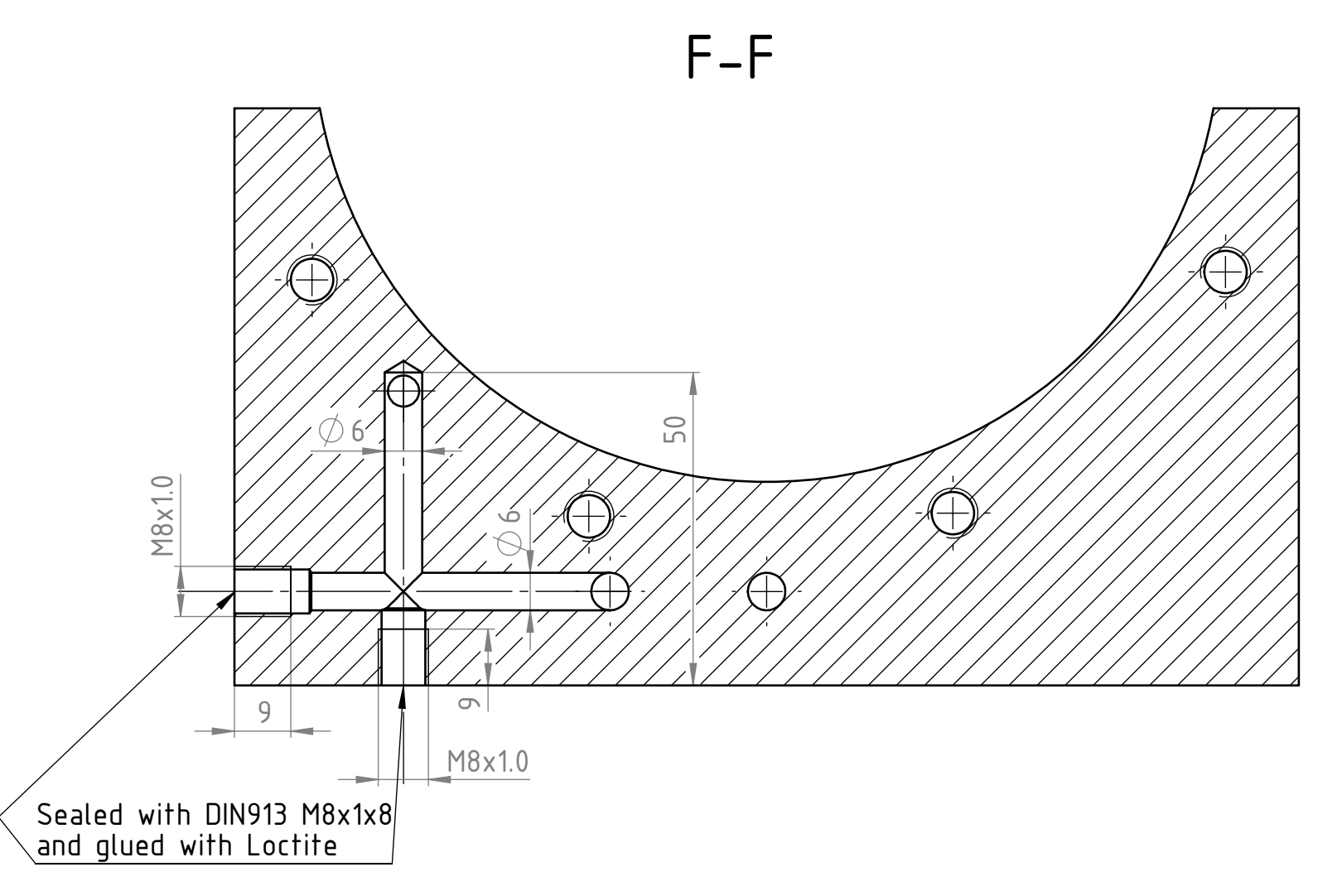
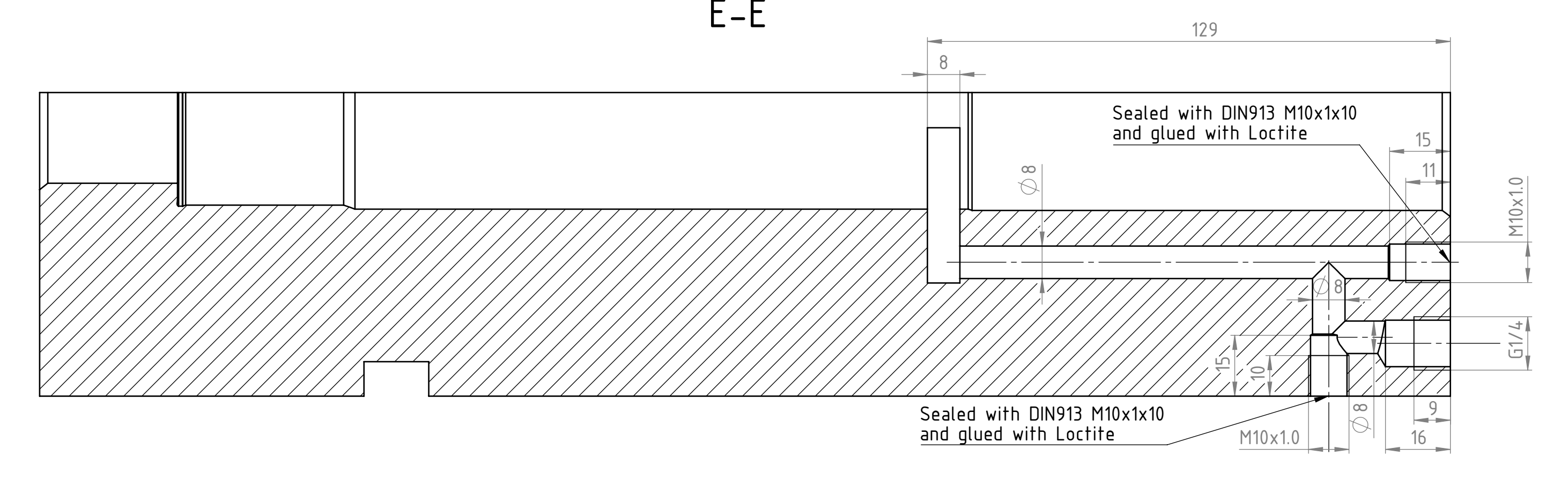
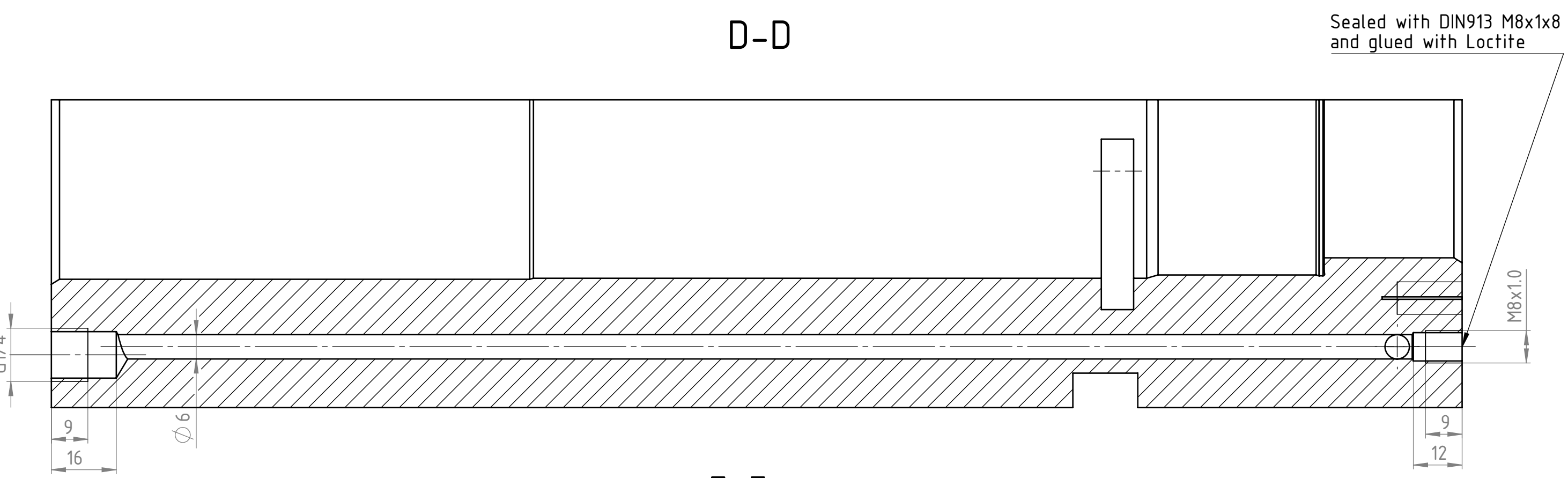
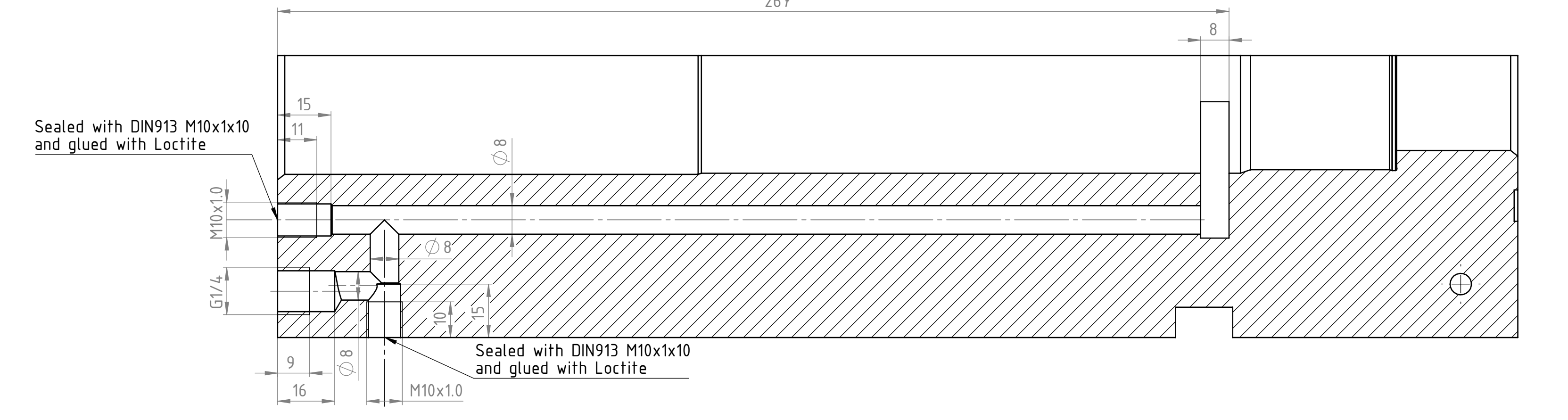
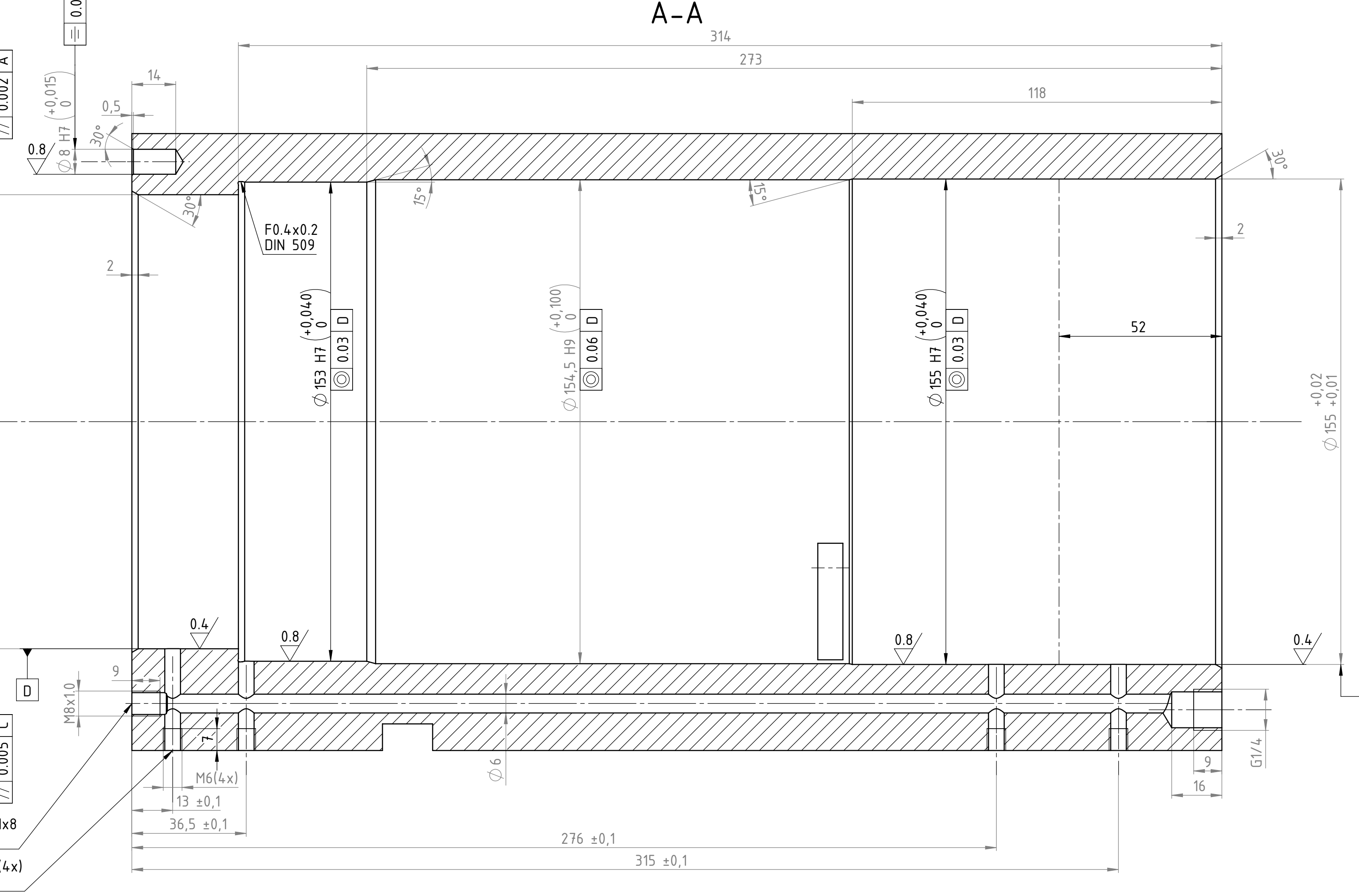
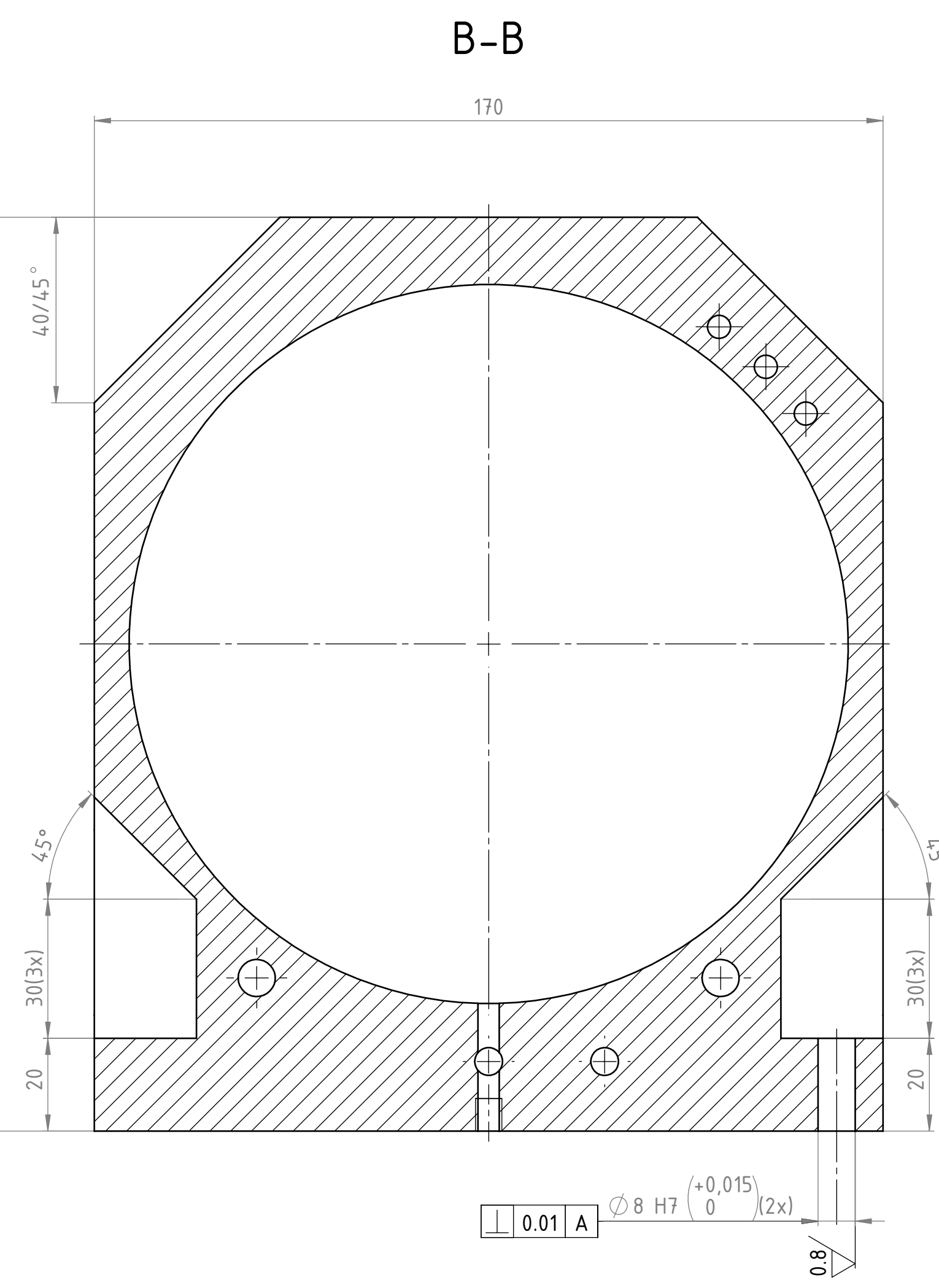
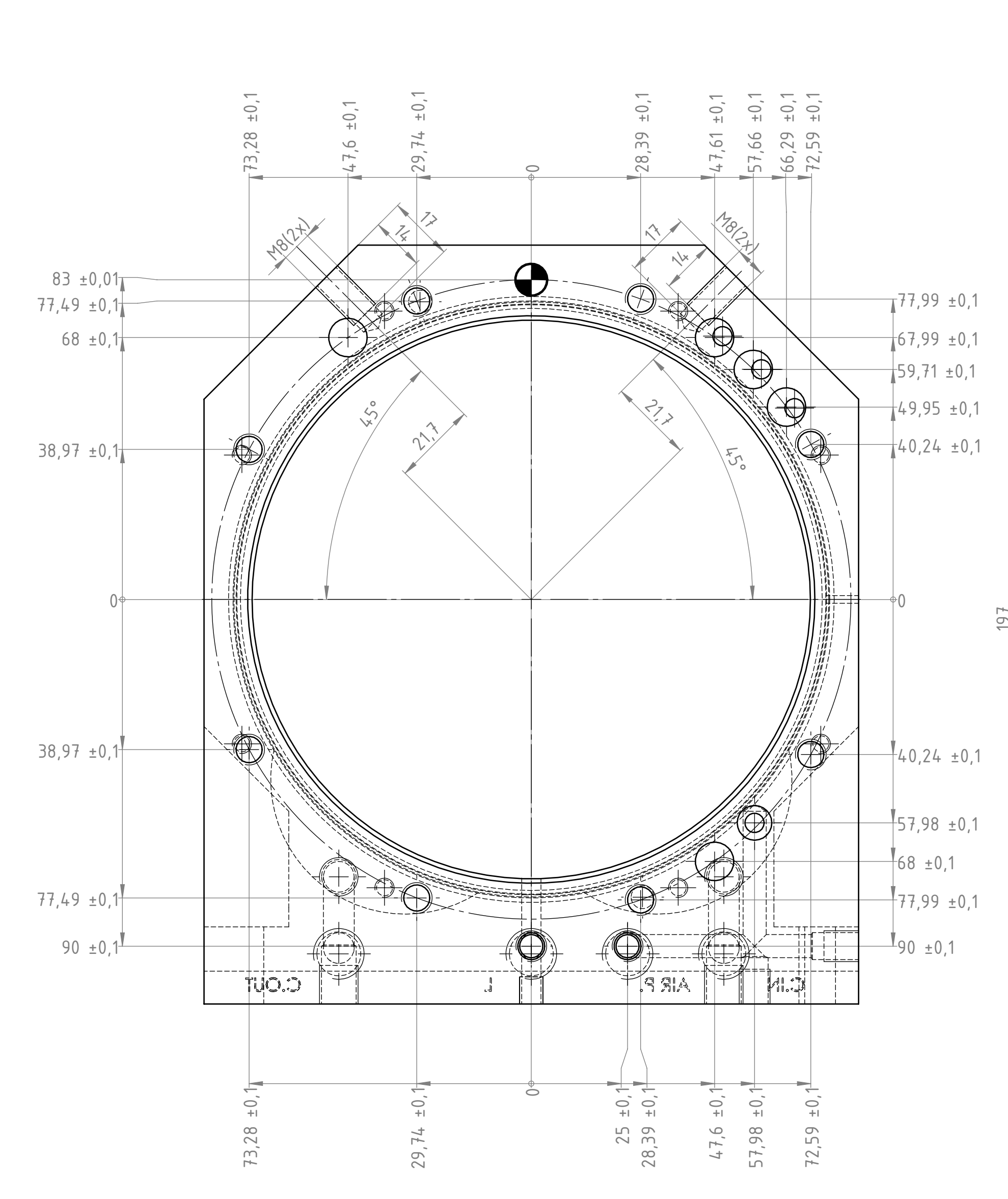
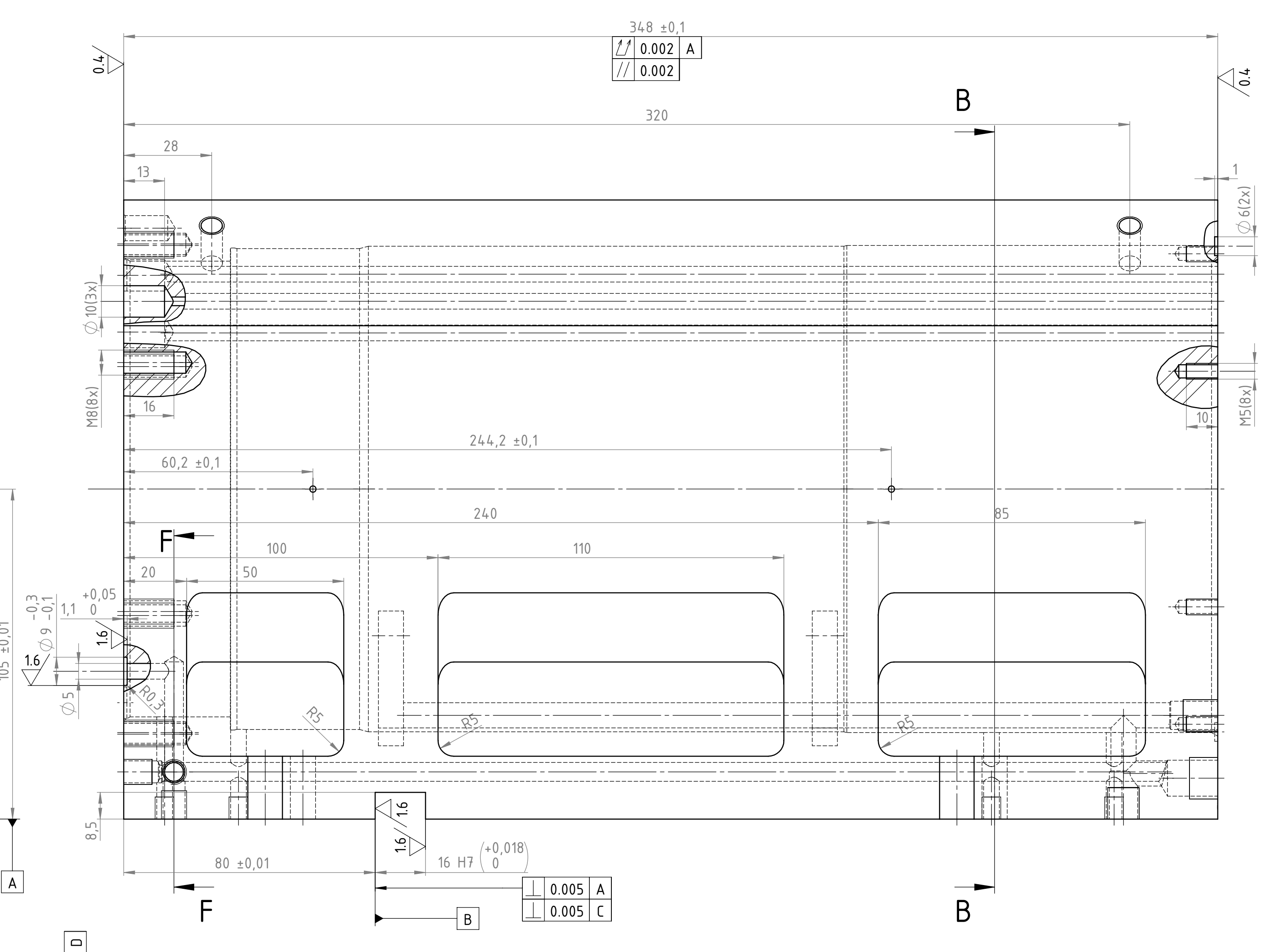
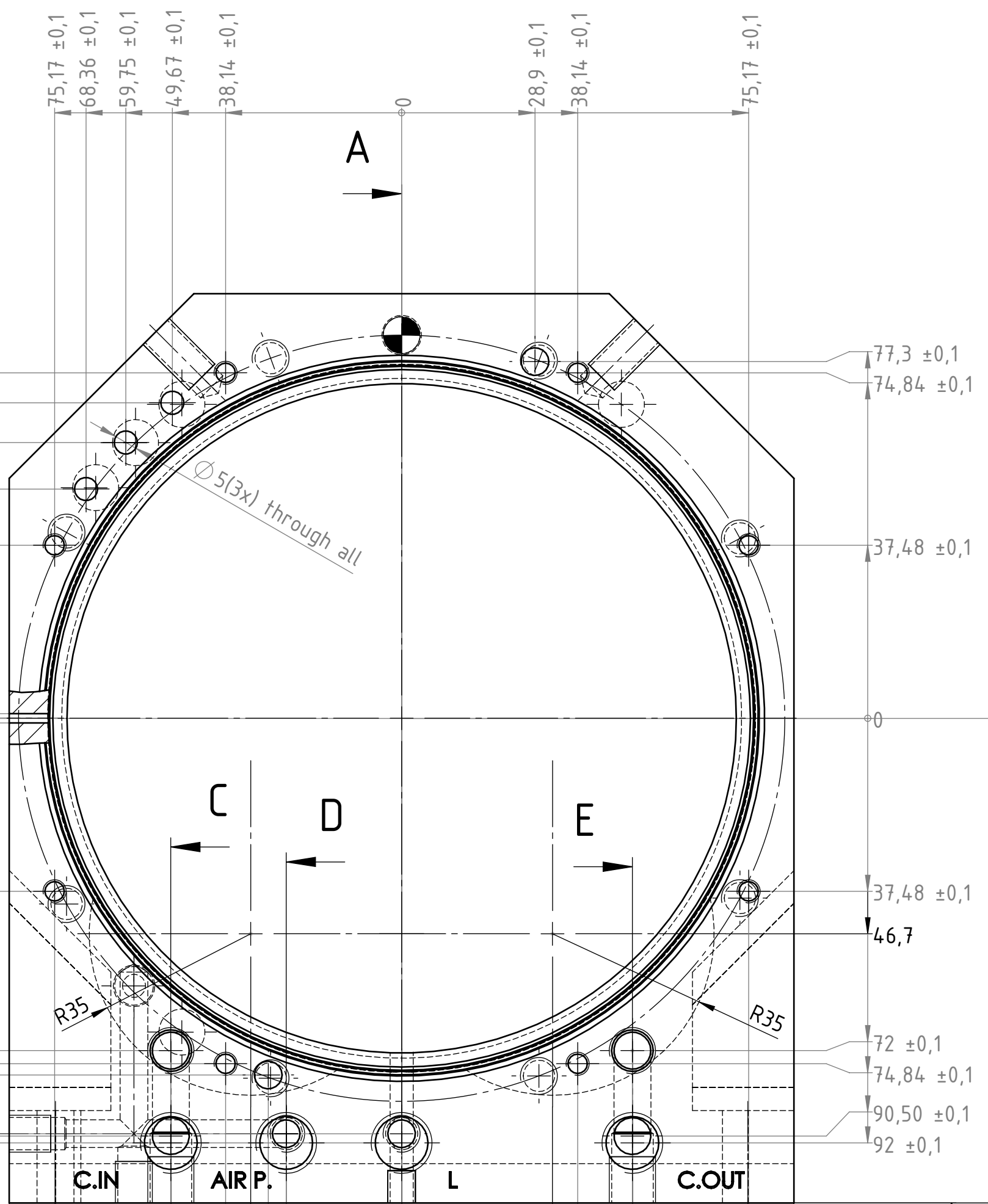
Download date / Datum preuzimanja: **2025-01-04**



Repository / Repozitorij:

[Repository of the University of Rijeka, Faculty of Engineering](#)





Nickel plated : thickness 0.01 mm  
All edges chamfered 0,2x45°  
19.10.2017.

Index	Symbol	Abkürzung	Objekt	Objekt-Nr.	Objekt-Gr.	Objekt-Bez.	Objekt-Bez.
1							

Rev. No.	19.7.2017		Drawn	B.Brück	Checked		
Form	A0		Released				
<b>HSTEC AG</b>				<b>Housing</b>		<b>M 11</b>	
<b>HIGH SPEED TECHNIQUE</b>							
CAD	20009717	Zuehung-Nr.	821310		Scale	1	